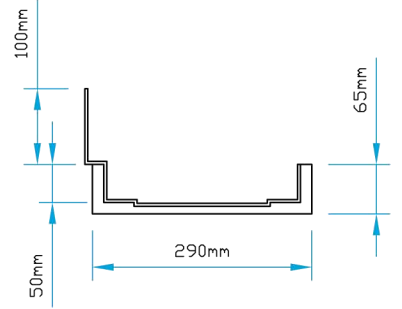
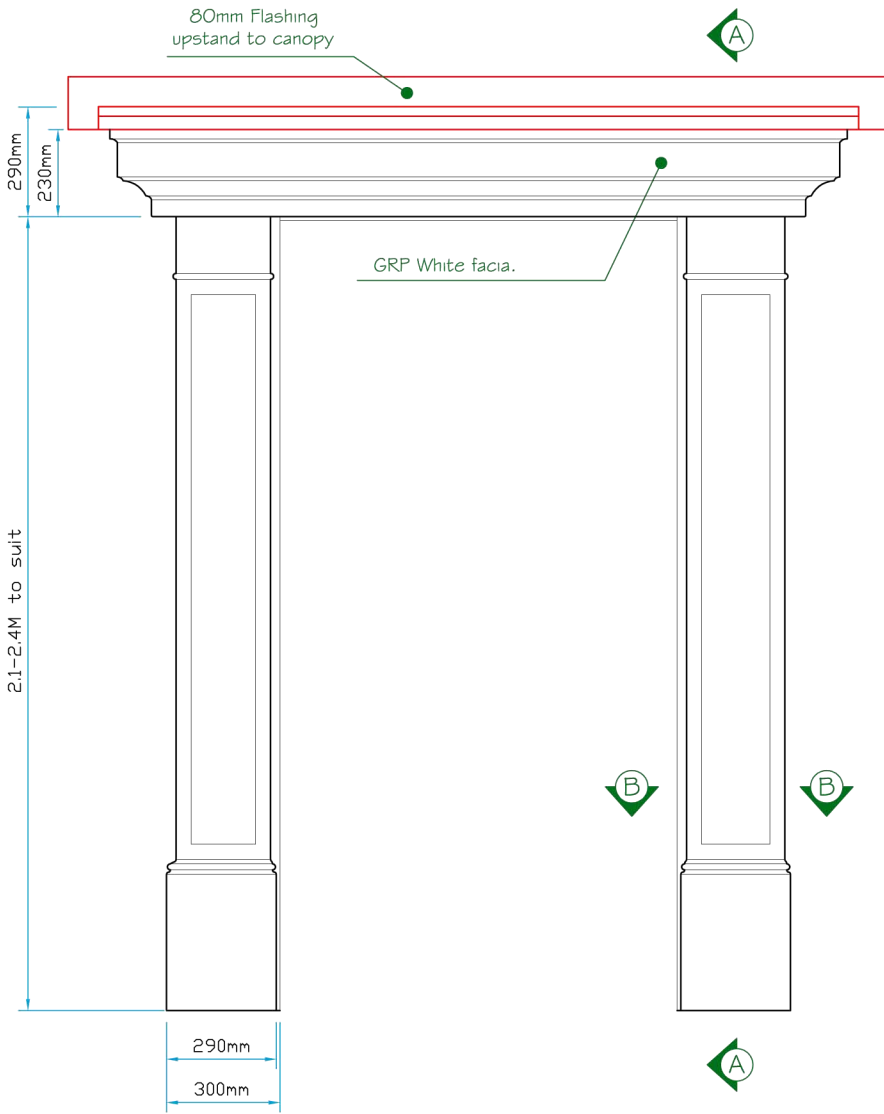


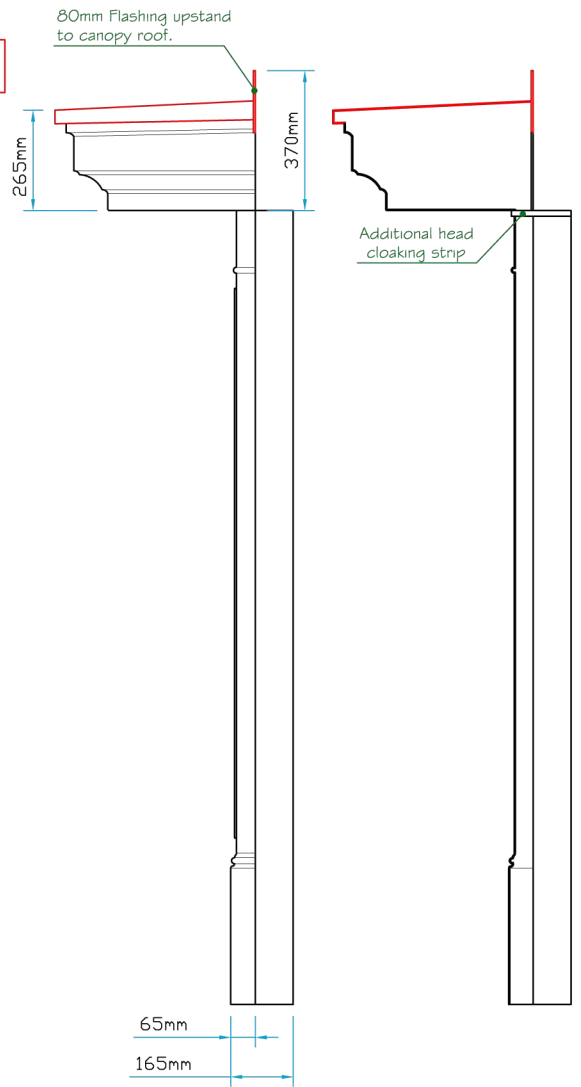
Plan View



Section B~B



Front Elevation



Side Elevation

Section A~A



12a Keenaghan Road, Rock, Dungannon
Co Tyrone, BT70 3JL

Model:
Unified Claverdon
Door Canopy

Date: 09/12/09

Scale: 1:20/10

Size: A4

Drawn by: G.J.G.

Checked: G.T.

Approved: G.T.

Sheet No: 1 of 1

Rev: A

Draw Title: Unified Claverdon Door Canopy

Draw No: 0199/A

| Revision | | |
|----------|--------------------|----------|
| A | Drw General update | 02/03/06 |