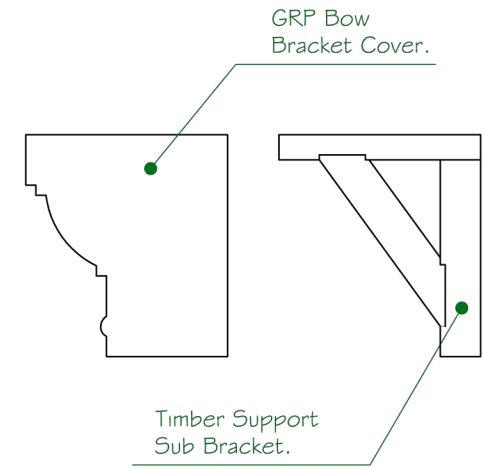
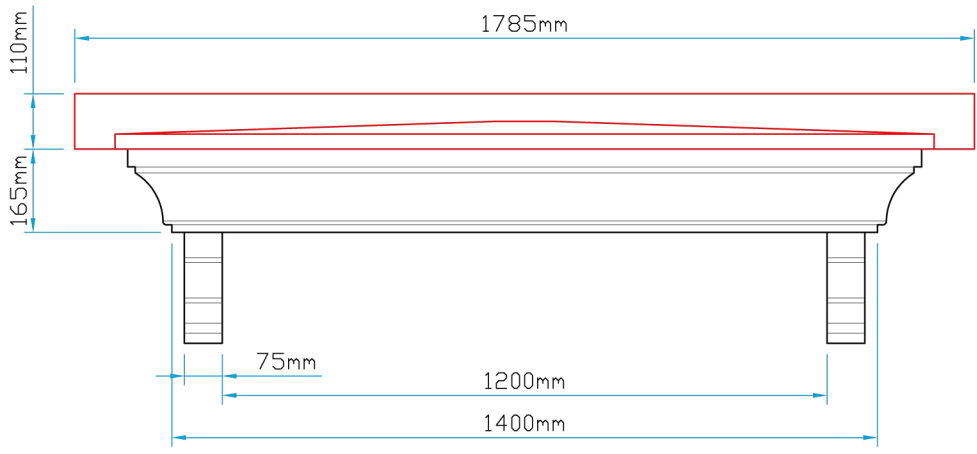


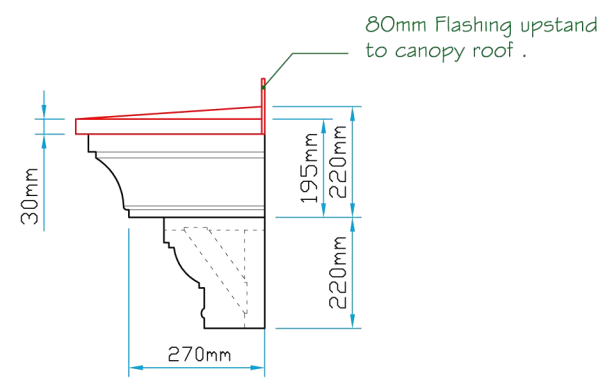
Plan View




H/B Bow Bracket Detail



Front Elevation



Side Elevation

| | | | | |
|--|---------------------------|---------------------------|--|----------------------|
|  <p>LJM glassfibre ltd. Bespoke Innovative G.R.P. Solutions</p> <p>12a Keenaghan Road, Rock, Dungannon Co Tyrone, BT70 3JL</p> | | | <p>Model: Unified 404-b Small Canopy # H/B Bow Bracket.</p> | |
| | | | <p>Date: 09/12/09</p> | |
| <p>Scale: 1:15</p> | | <p>Size: A4</p> | | |
| <p>Drw by: G.J.G.</p> | <p>Chk'd: G.T.</p> | <p>App'd: G.T.</p> | <p>Sheet No: 1 of 1</p> | <p>Rev: A</p> |
| <p>Drw Title: Unified 404-b Small # H-B Bow Bracket</p> | | | <p>Drw No: 0164/A</p> | |

| Revision | | |
|----------|--------------------|----------|
| A | Drw General update | 23/02/06 |