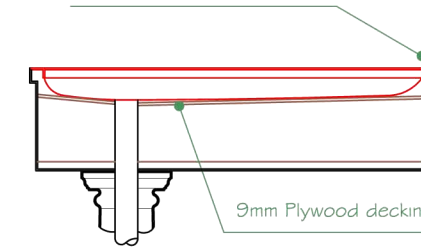
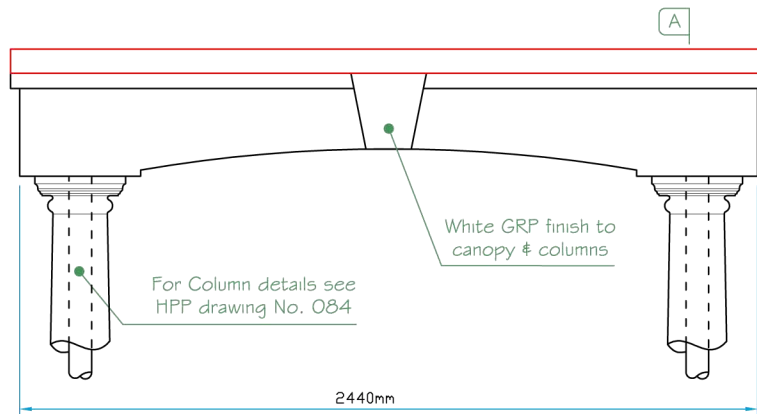


Plan View

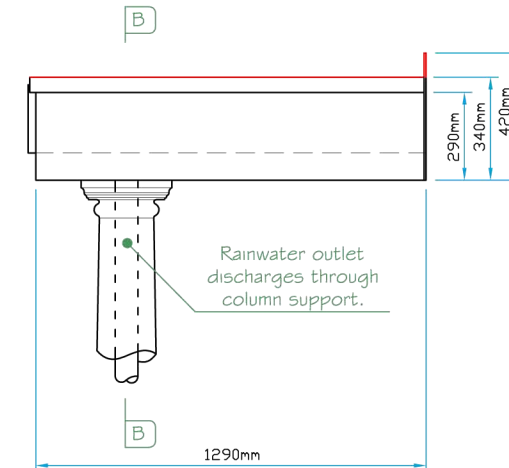
Fixing 10mmx90mm galvanized rawl bolts securely fixed to outer leaf of cavity wall through GRP up stand @ 600mm cts.



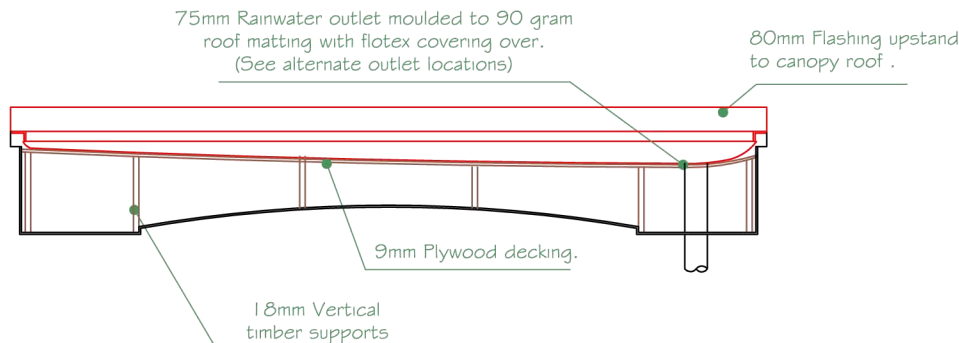
Section A~A



Front Elevation



Side Elevation



Section B~B

 <p>LJM glassfibre ltd. Bespoke Innovative G.R.P. Solutions</p> <p>12a Keenaghan Road, Rock, Dungannon Co Tyrone, BT70 3JL</p>			<p>Model: Keystone Portico 2500 Door Canopy</p>		
			<p>Date: 09/12/09</p>		
<p>Scale: 1:25</p>		<p>Size: A4</p>			
<p>Drw by: G.J.G.</p>		<p>Chk'd: G.T.</p>		<p>App'd: G.T.</p>	
<p>Drw Title: Keystone Portico 2500 Door Canopy</p>			<p>Sheet No: 1 of 1</p>		<p>Rev: A</p>
			<p>Drw No: 0105/A</p>		

Revision		
A	Drw General update	29/03/06