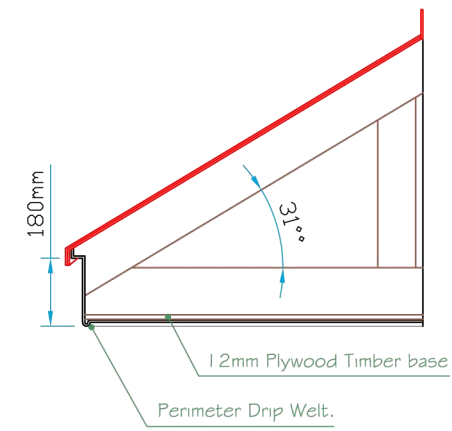
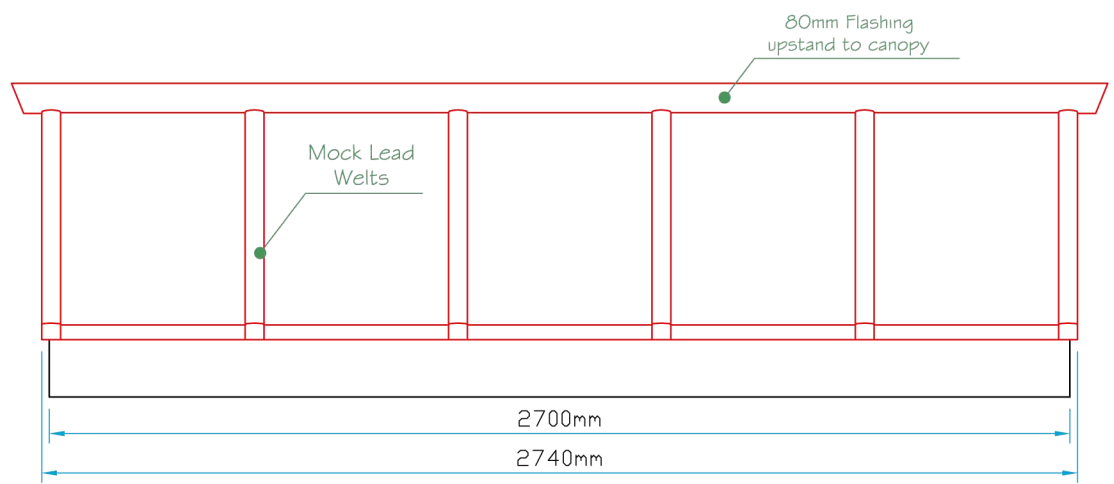


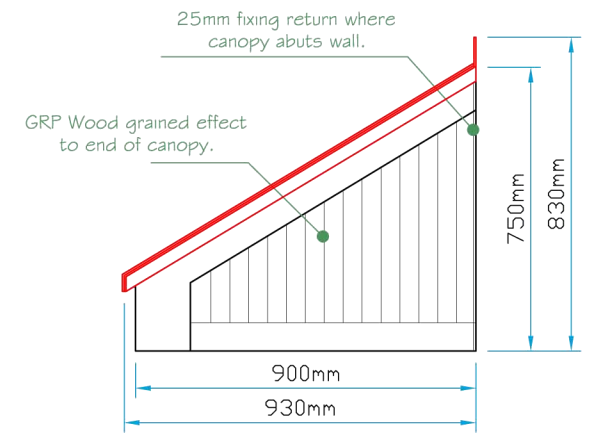
Plan View



Section A~A



Front Elevation



Side Elevation

 <p>LJM glassfibre ltd. Bespoke Innovative G.R.P. Solutions</p> <p>12a Keenaghan Road, Rock, Dungannon Co Tyrone, BT70 3JL</p>		<p>Model: Kenilworth type II 2700 Mono Pitch Lead + Welts Canopy 31°</p>	
		<p>Date: 09/12/09</p>	
<p>Scale: 1:20</p>		<p>Size: A4</p>	
<p>Drw by: G.J.G.</p>		<p>Chk'd: G.T.</p>	
<p>App'd: G.T.</p>		<p>Sheet No: 1 of 1</p>	
<p>Drw Title: Kenilworth type II 2700 Mono Pitch Lead + Welts Canopy 31°</p>		<p>Rev: 0</p>	
		<p>Drw No: 326/0</p>	

Revision	