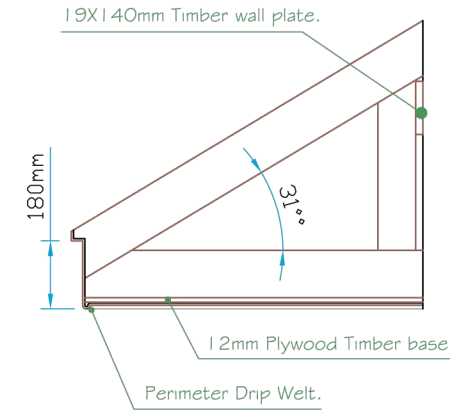
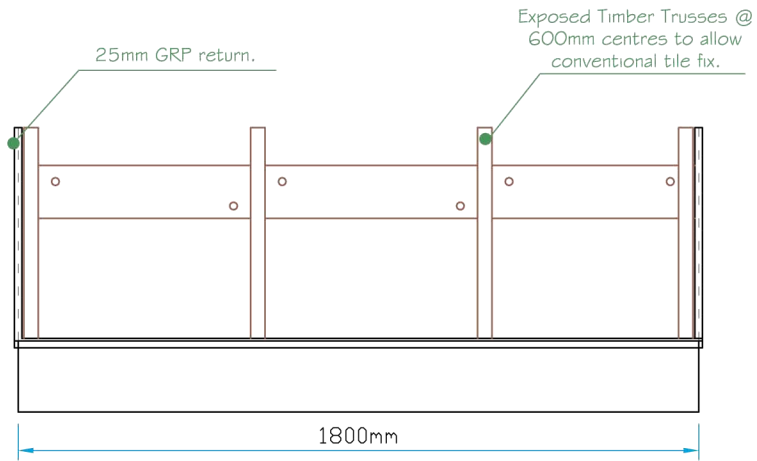


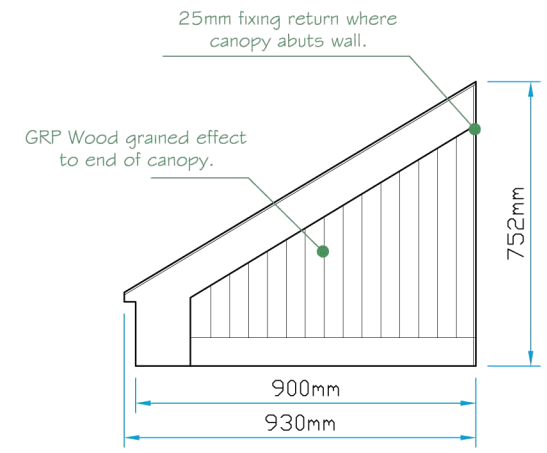
Plan View



Section A~A



Front Elevation



Side Elevation

 <p><b>LJM glassfibre ltd.</b> Bespoke Innovative G.R.P. Solutions</p> <p>12a Keenaghan Road, Rock, Dungannon Co Tyrone, BT70 3JL</p>		<p><b>Model:</b> Kenilworth type II 1800 Mono Pitch Trussed Canopy 31°</p>	
		<p><b>Date:</b> 09/12/09</p>	
<p><b>Drw by:</b> G.J.G.   <b>Chk'd</b> G.T.   <b>App'd</b> G.T.</p>		<p><b>Scale:</b> 1:20</p>	<p><b>Size:</b> A4</p>
<p><b>Drw Title:</b> Kenilworth type II 1800 Mono Pitch Trussed Canopy 31°</p>		<p><b>Sheet No:</b> 1 of 1</p>	<p><b>Rev:</b> 0</p>
		<p><b>Drw No:</b> 290/0</p>	

Revision		