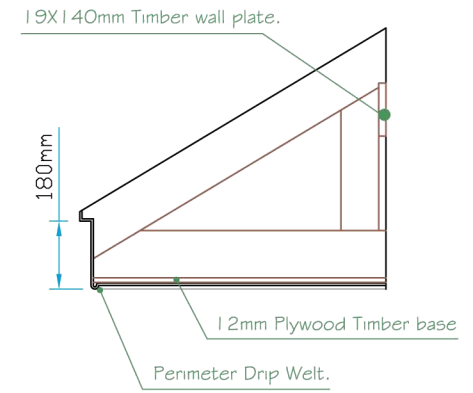
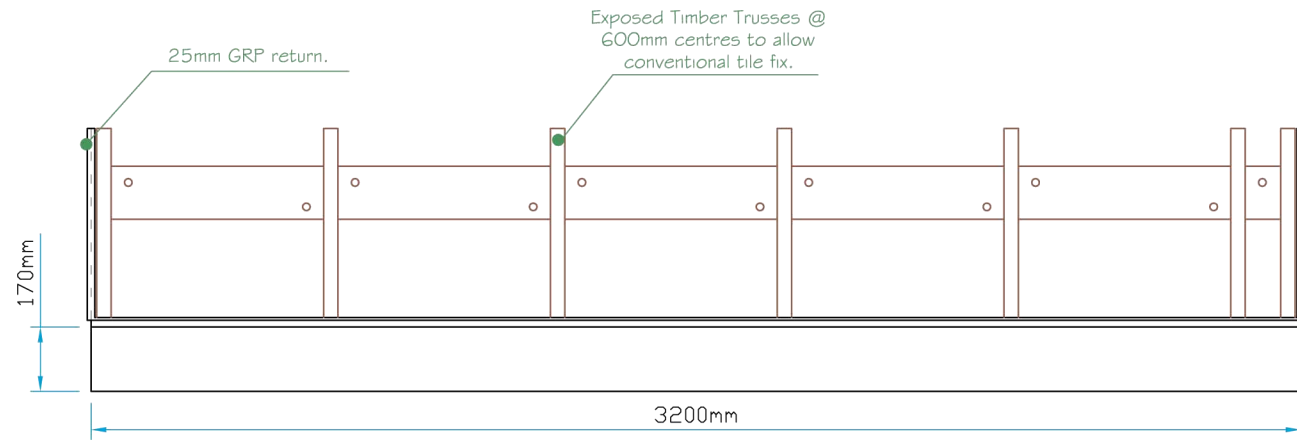


Plan View

19X140mm Timber wall plate with fixing holes as shown.

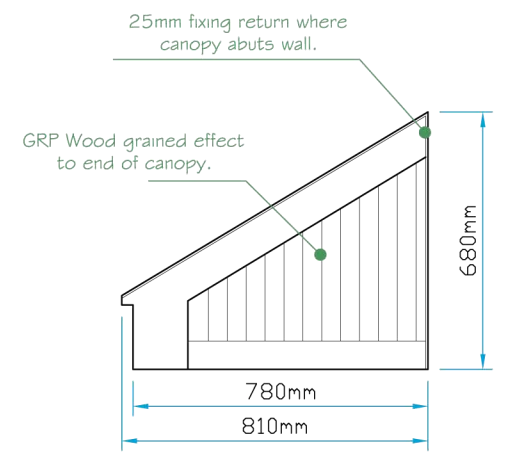


Section A~A



Front Elevation

Exposed Timber Trusses @ 600mm centres to allow conventional tile fix.



Side Elevation



12a Keenaghan Road, Rock, Dungannon  
Co Tyrone, BT70 3JL

<b>Model:</b> Kenilworth 3200 Mono Pitch Trussed Door Canopy	
<b>Date:</b> 09/12/09	
<b>Scale:</b> 1:20	<b>Size:</b> A4
<b>Sheet No:</b> 1 of 1	<b>Rev:</b> A
<b>Drw No:</b> 0141/A	

**Drw by:** G.J.G. **Chk'd:** G.T. **App'd:** G.T.

**Drw Title:** Kenilworth 3200 Mono Pitch Door Canopy

Revision		
A	Drw General update	20/12/05