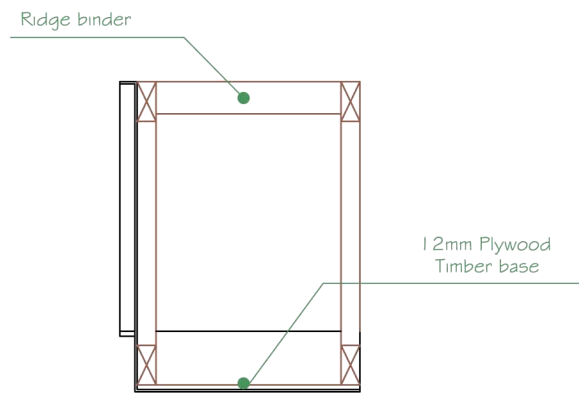
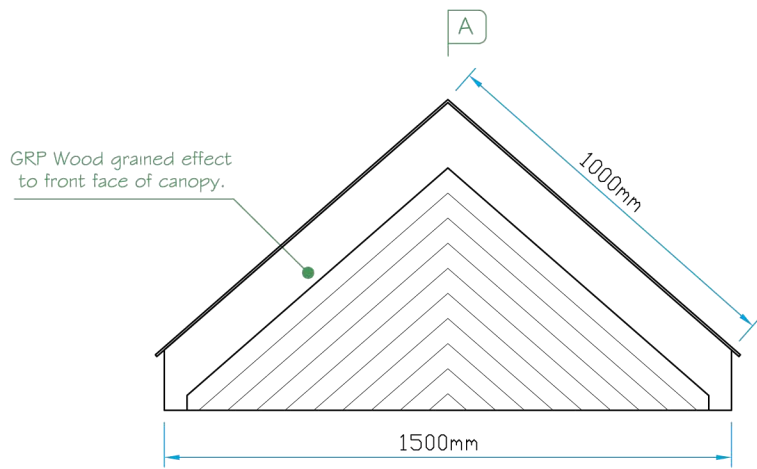


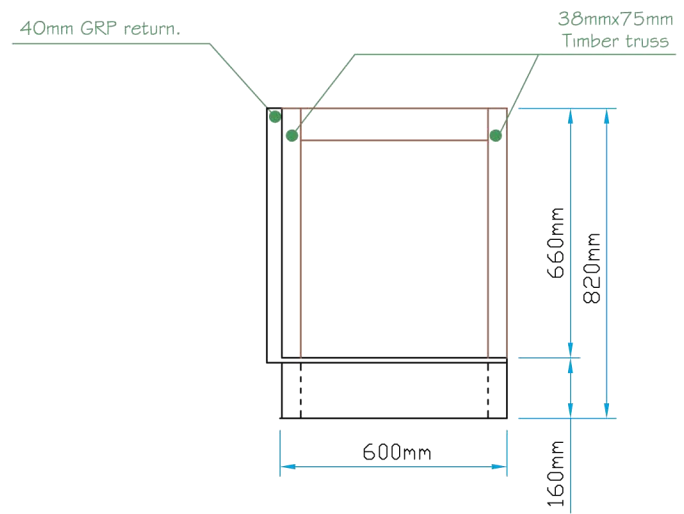
Plan View



Section A~A



Front Elevation



Side Elevation

| | | | | |
|--|---------------------------|---------------------------|---|----------------------|
|  <p>LJM glassfibre ltd. Bespoke Innovative G.R.P. Solutions</p> <p>12a Keenaghan Road, Rock, Dungannon Co Tyrone, BT70 3JL</p> | | | <p>Model: Warrington Trussed 40° Door Canopy</p> | |
| | | | <p>Date: 09/12/09</p> | |
| <p>Scale: 1:20</p> | | <p>Size: A4</p> | | |
| <p>Drw by: G.J.G.</p> | <p>Chk'd: G.T.</p> | <p>App'd: G.T.</p> | <p>Sheet No: 1 of 1</p> | <p>Rev: 0</p> |
| <p>Drw Title: Warrington Trussed 40deg Door Canopy</p> | | | <p>Drw No: 0125/0</p> | |