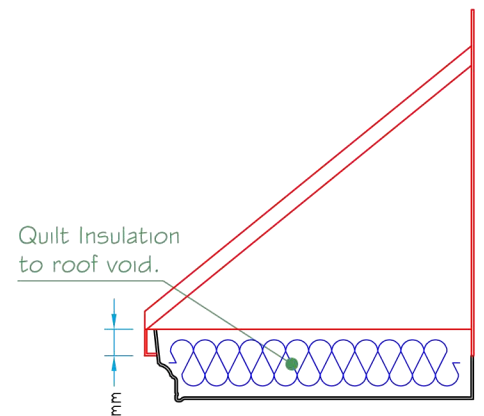
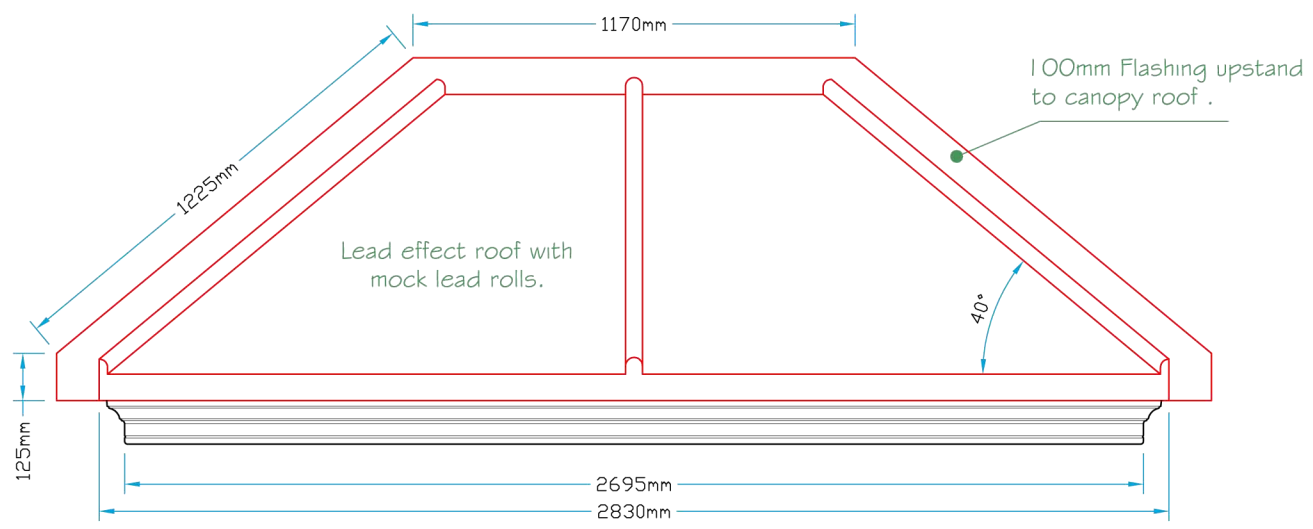


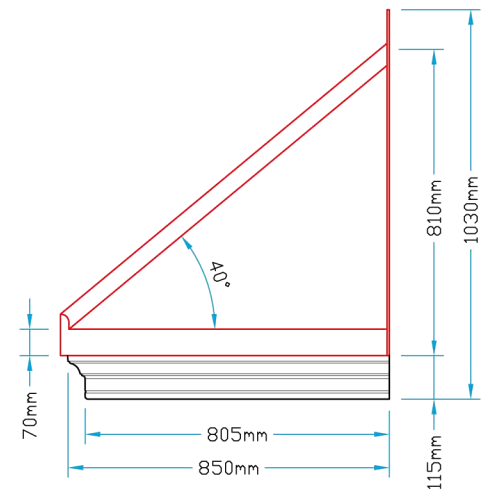
Plan View



Section A~A



Front Elevation



Side Elevation

Revision		
B	Drw General update	09/12/05
A	Drw General update	11/3/04

 <p><b>LJM glassfibre ltd.</b> Bespoke Innovative G.R.P Solutions</p> <p>12a Keenaghan Road, Rock, Dungannon Co Tyrone, BT70 3JL</p>			<b>Model:</b> DW SQ4P Window Canopy			
			<b>Date:</b> 09/12/09			
<b>Drw by:</b> G.J.G.		<b>Chk'd:</b> G.T.		<b>App'd:</b> G.T.		
<b>Drw Title:</b> DW SQ4P Window Canopy			<b>Scale:</b> 1:20		<b>Size:</b> A4	
			<b>Sheet No:</b> 1 of 1		<b>Rev:</b> B	
			<b>Drw No:</b> 0083/B			