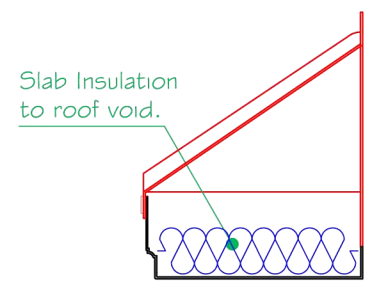
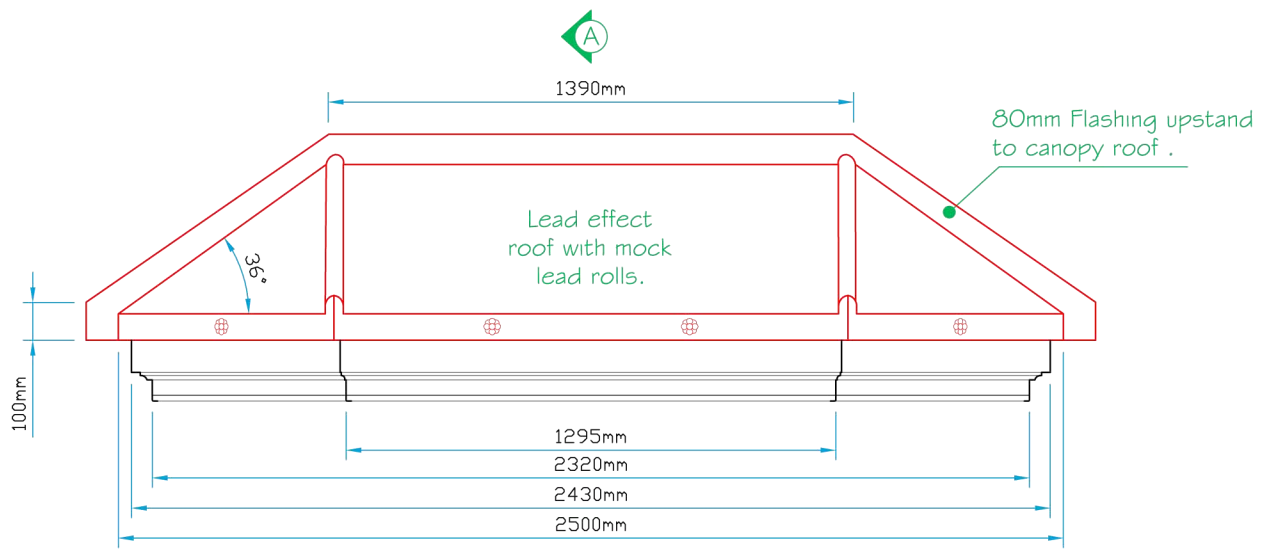


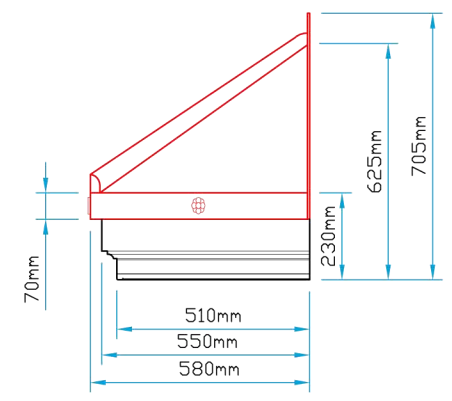
Plan View



Section A~A



Front Elevation



Side Elevation

Revision	

 <p><b>LJM glassfibre ltd.</b> Bespoke Innovative G.R.P. Solutions</p> <p>12a Keenaghan Road, Rock, Dungannon Co Tyrone, BT70 3JL</p>			<b>Model:</b> DW SP2NPN Window Canopy		
			<b>Date:</b> 09/12/09		
<b>Drw by:</b> G.J.G.		<b>Chk'd:</b> G.T.	<b>App'd:</b> G.T.	<b>Scale:</b> 1:20	<b>Size:</b> A4
<b>Drw Title:</b> DW SP2NPN Window Canopy			<b>Sheet No:</b> 1 of 1		<b>Rev:</b> 0
<b>Drw No:</b> 0298/0			(Empty space)		