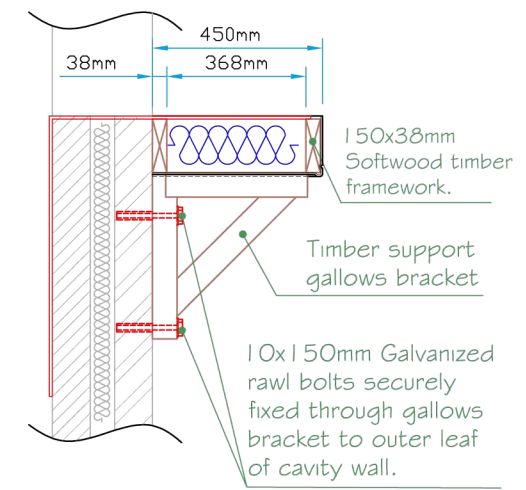
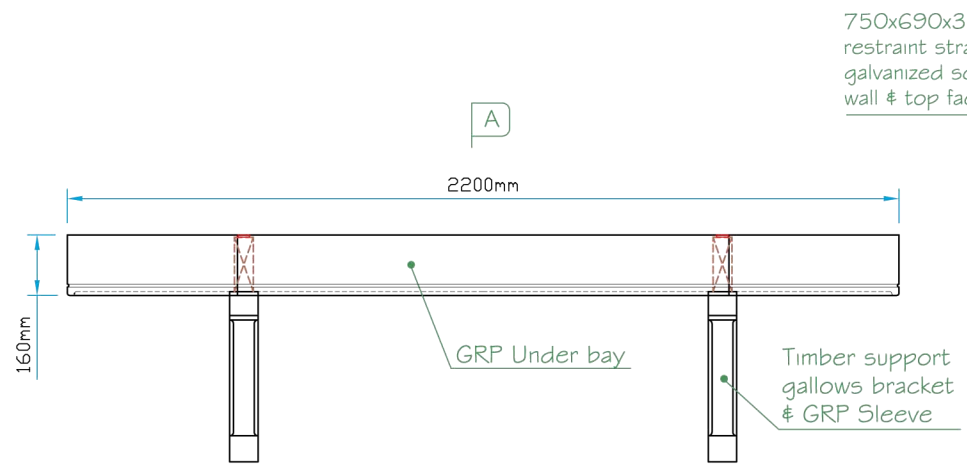


Plan View

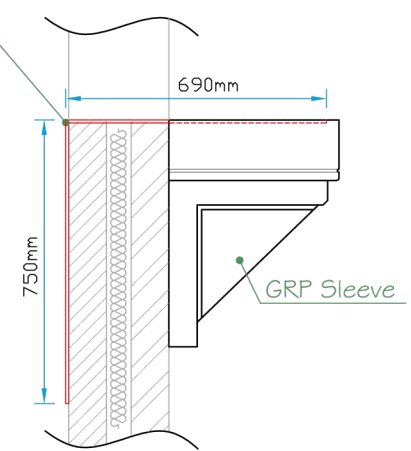


Section A~A



Front Elevation

750x690x30x5mm Galvanized mild steel restraint straps, securely fixed with galvanized screws to inner leaf of cavity wall & top face of under bay framework.



Side Elevation

 <p><b>LJM glassfibre ltd.</b> Bespoke Innovative G.R.P. Solutions</p> <p>12a Keenaghan Road, Rock, Dungannon Co Tyrone, BT70 3JL</p>			<p><b>Model:</b> DW SP2 NFN Underbay &amp; Gallows Bracket</p>			
			<p><b>Date:</b> 09/12/09</p>			
<p><b>Drw by:</b> G.J.G.</p>		<p><b>Chk'd:</b> G.T.</p>		<p><b>App'd:</b> G.T.</p>		
<p><b>Drw Title:</b> DW SP2 NFN Underbay &amp; Gallows Brk</p>			<p><b>Scale:</b> 1:20</p>		<p><b>Size:</b> A4</p>	
<p><b>Revision</b></p>			<p><b>Sheet No:</b> 1 of 1</p>		<p><b>Rev:</b> A</p>	
<p>A   Drw General update   13/12/05</p>			<p><b>Drw No:</b> 0088/A</p>			