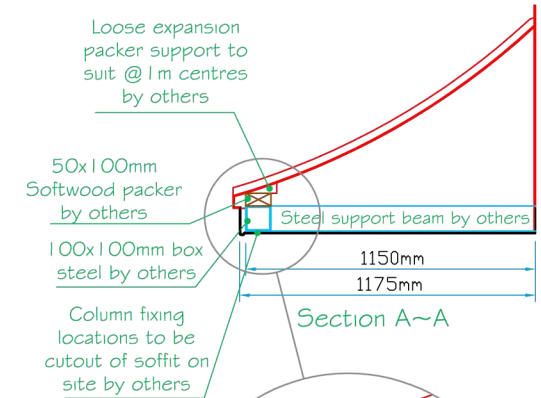
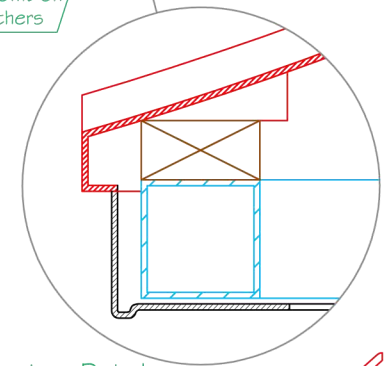


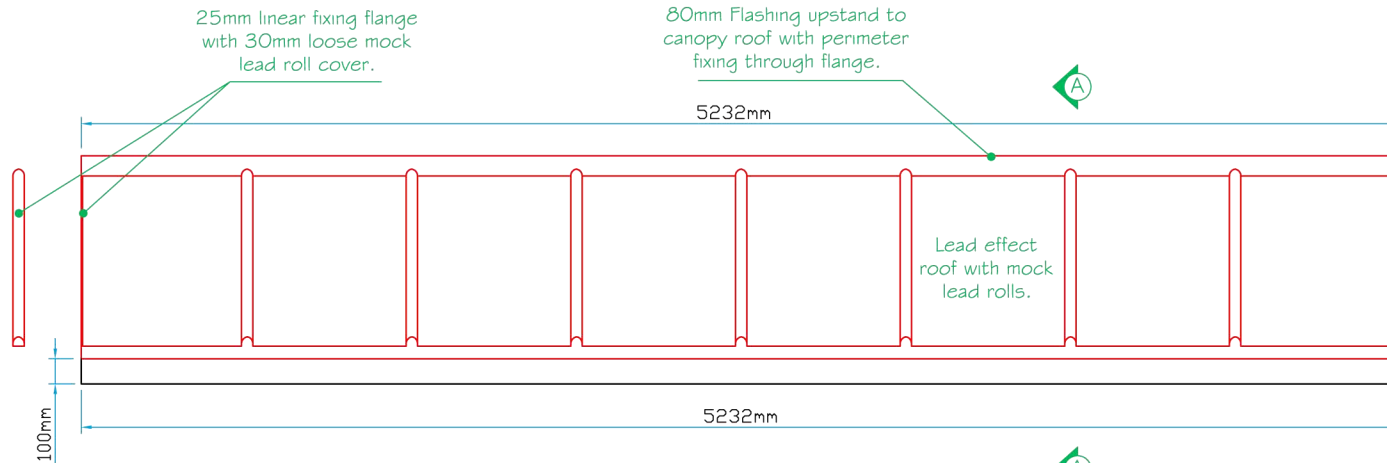
Plan View



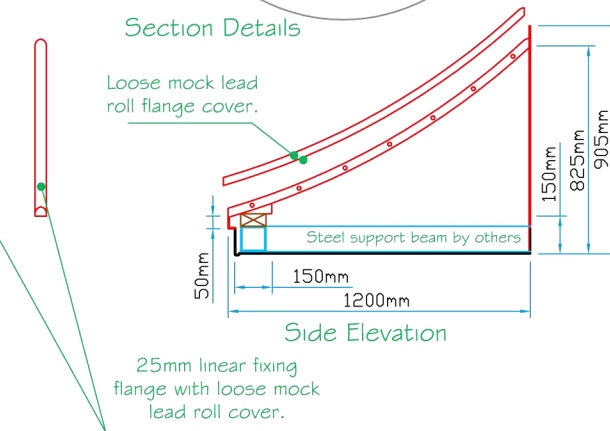
Section A~A



Section Details




Front Elevation



Side Elevation

Apartment Blocks A1 & A3

 <p>LJM glassfibre ltd. Bespoke Innovative G.R.P. Solutions</p> <p>12a Keenaghan Road, Rock, Dungannon Co Tyrone, BT70 3JL</p>			<p>Model: Chadbury 5253 Canopy Section</p>		
			<p>Date: 09/12/09</p>		
<p>Scale: 1:30</p>		<p>Size: A4</p>			
<p>Drw by: G.J.G.</p>		<p>Chk'd: G.T.</p>		<p>App'd: G.T.</p>	
<p>Drw Title: Chadbury 5253 Canopy Section</p>			<p>Sheet No: 1 of 1</p>		<p>Rev: B</p>
			<p>Drw No: 0320/B</p>		

Revision		
B	Revised inline with Architects Details	25/1/07
A	Revised inline with Architects Details	1/1/07