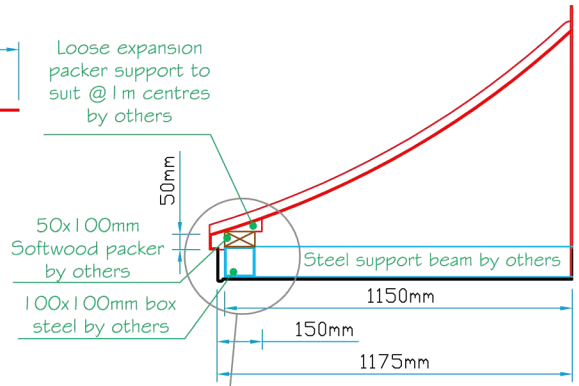
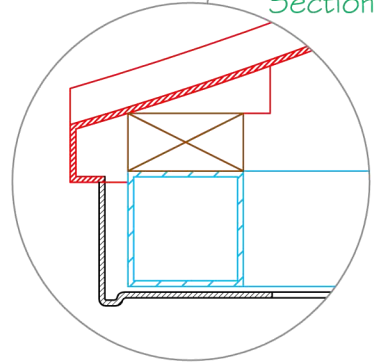


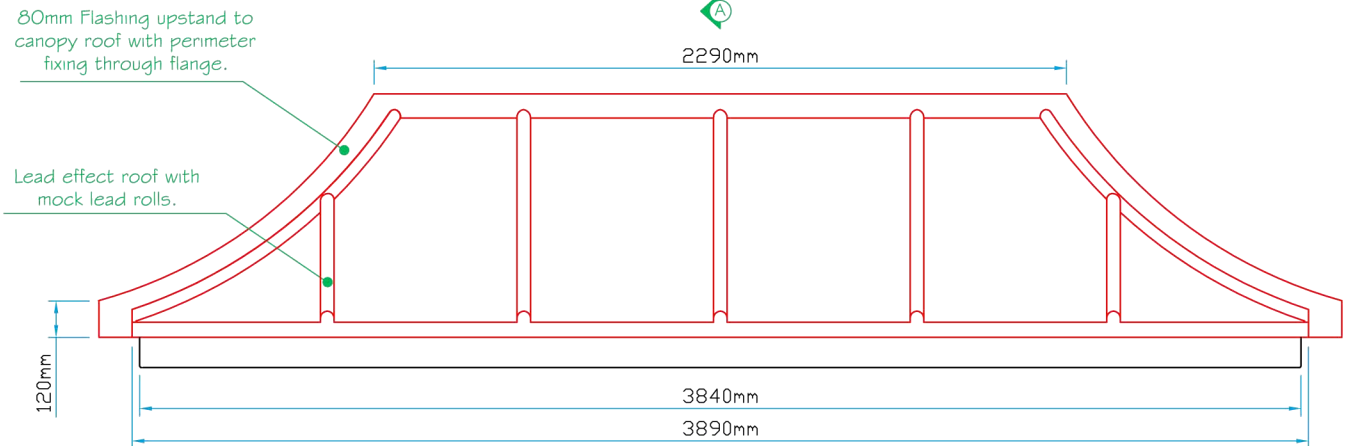
Plan View



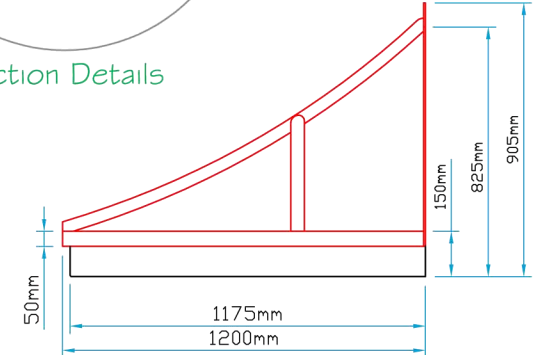
Section A~A



Section Details



Front Elevation



Side Elevation

Apartment Blocks A1 & A3

| Revision | | |
|----------|--|----------|
| C | Revised inline with Architects Details | 11/12/06 |
| B | Revised inline with Architects Details | 9/12/06 |
| A | Revised inline with Architects Details | 1/12/06 |

| | | | | |
|--|--------------------|--------------------|---------------------------------------|---------------|
|  Bespoke Innovative G.R.P. Solutions 12a Keenaghan Road, Rock, Dungannon Co Tyrone, BT70 3JL | | | Model: Chadbury 3890 Canopy | |
| | | | Date: 09/12/09 | |
| Scale: 1:25 | | Size: A4 | | |
| Drw by: G.J.G. | Chk'd: G.T. | App'd: G.T. | Sheet No: 1 of 1 | Rev: C |
| Drw Title: Chadbury 3890 Canopy | | | Drw No: 0297/C | |