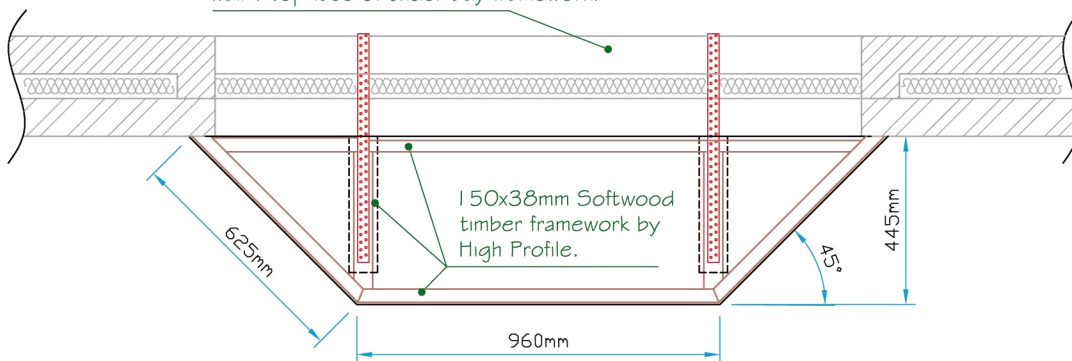
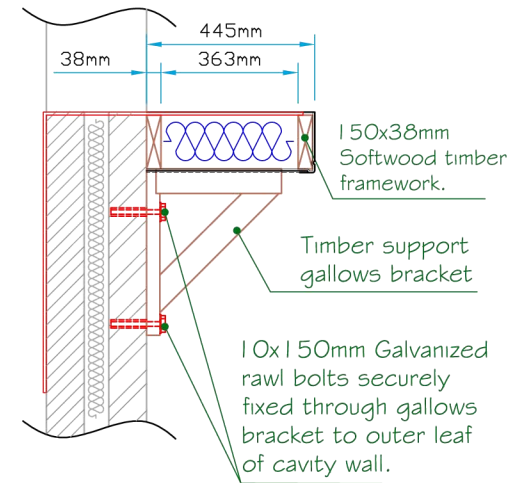


750x690x30x5mm Galvanized mild steel restraint straps, securely fixed with galvanized screws to inner leaf of cavity wall & top face of under bay framework.

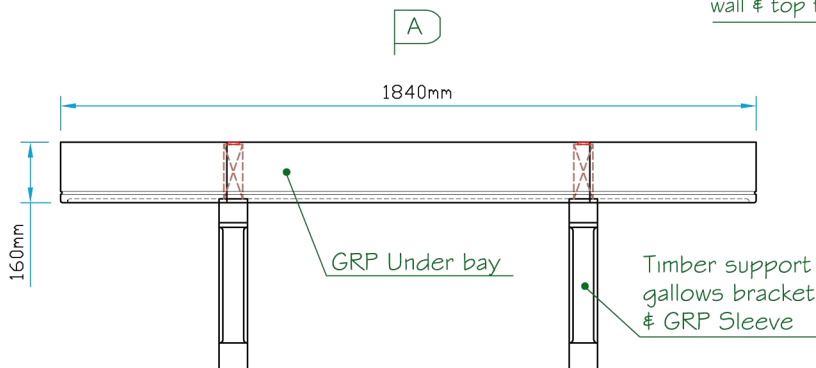


Plan View

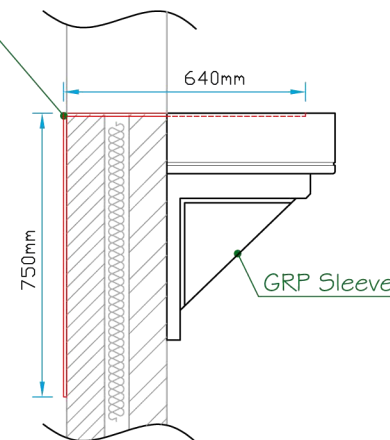


Section A~A

750x690x30x5mm Galvanized mild steel restraint straps, securely fixed with galvanized screws to inner leaf of cavity wall & top face of under bay framework.



Front Elevation



Side Elevation



12a Keenaghan Road, Rock, Dungannon  
Co Tyrone, BT70 3JL

**Model:**  
DW HC SP1NFN Underbay  
& 380 Gallow Bracket

**Date:** 09/12/09

**Scale:** 1:20 **Size:** A4

**Drw by:** G.J.G. **Chk'd** G.T. **App'd** G.T.

**Sheet No:** 1 of 1 **Rev:** A

**Drw Title:** DW HC SP1NFN Underbay & 380 Gallow Brk

**Drw No:** 0200/A

Revision

A	Drw General update	02/03/06
---	--------------------	----------