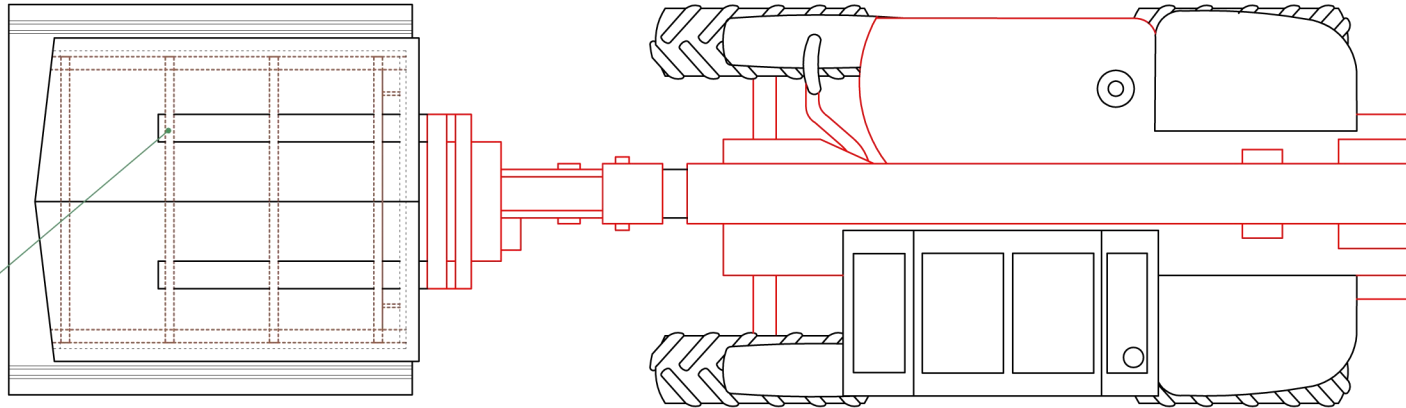


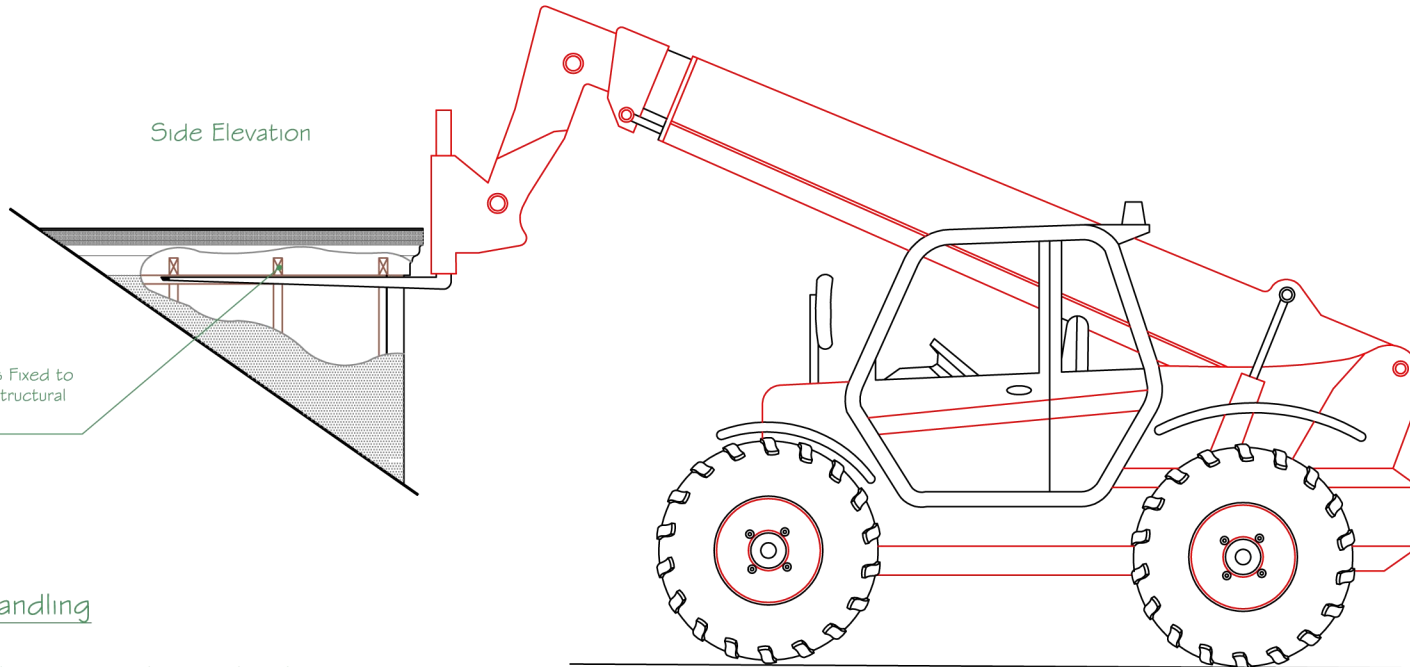
Plan View

100x50mm Timber Battens Fixed to Dormer Cheeks allowing structural lifting support.



Side Elevation

100x50mm Timber Battens Fixed to Dormer Cheeks allowing structural lifting support.



GRP Roof Dormer Site Handling

The pre fabricated GRP roof dormers are designed and manufactured to a high specification and allows for site handling in accordance with the diagrams.

Recommended transportation offloading and site installation must be made via the dormer window aperture onto structural ceiling beams with a forklift apparatus using the forks displaced as shown above.

 LJM glassfibre ltd. Bespoke Innovative G.R.P. Solutions 12a Keenaghan Road, Rock, Dungannon Co Tyrone, BT70 3JL		Model: Dormer Onsite Handling Instructions			
		Date: 09/12/09			
Drw by: G.J.G.		Chk'd G.T.	App'd G.T.	Scale: 1:25	Size: A4
Drw Title: Dormer Onsite Handling Instructions				Sheet No: 1 of 1	Rev: 0
				Drw No: 267/0	